

Optical Zoom Conference Cam User Manual



1. Notice

To avoid damage from stress, violent vibration, soaking during transportation, storage and installation. Take care of each components of camera during installation, and install camera at where is affordable enough, to avoid drop or scratches of camera case. Handle the camera parts gently, do not squeeze the camera units hard. Please do not touch the camera lens by hand directly to avoid the lens scratched and image quality affected.

Do not apply excessive voltage. (Use only the specified voltage) Otherwise, you may get an electric shock or a fire may occur. Do not aim the camera at the sun or the other high luminous objects, otherwise it may cause image blurring or lens flare, even cause permanent damage to the camera. Do not clean camera with active chemical or corrosive detergents, and remove dust or dirt on the surface of the lens with a blower (Commercially available). Do not disassemble any camera components, in case of abnormal operation; contact your authorized dealer or the store where you purchased the product.

2. Performance Characteristics

1. Camera technical parameters

Electric		Communication	
Input Voltage	DC12V	Baud	9600/38400bps
Power	12W	Protocol	VISCA/PELCO-D/P
Decoder	internal	Address Set	0~255
Operation		Surroundings	
Horizontal Rotation	±170°	Operating Environment	0°~+50°
Vertical Rotation	120°	Operating Temp	0~95%
Rotation Speed	100°/s		non-condensing
Physics		Installation Method	
Preset Point	9 remote controls Pelco Protocol 255	Support desktop, wall mount, ceiling mount and tripod installation	
Net-Weight	1.46kg		

2. Camera Parameters

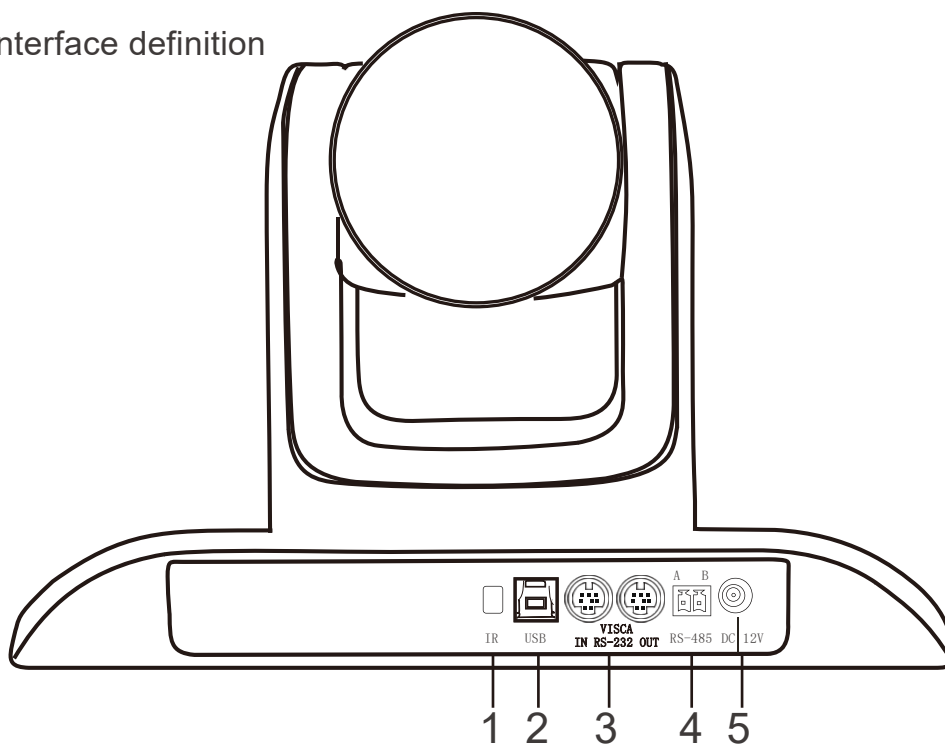
Spec	lens	3x optical zoom
Image Sensor		1/2.7" HD color CMOS
Effective Pixel		2.1 Mega Pixel
FOV		128°~37°
Focal Length		F=3.0-10.0mm
HD Format		1080P(1920*1080) 720P(1280*720)
HD Interface		USB
Resolution		1080P/720P
Signal System		NTSC/PAL
Control parameters		
Preset	IR remote control supports 9 presets PELCO, Protocol supports 255 presets	
Translation/ Pitching Angle	-170°~170° -30°~90°	
Translation/ Pitching Speed	100°/s 80°/s	
Control Protocol	VISCA, PELCO-D, PELCO-P (RS-232, RS485)	
Common Parameters		
Size	Product: 260*175*180mm packaging: 296*225*218mm	
Color	black	

3. Supplied Accessories

- | | |
|--------------------------|---------------------------|
| (1) HD conference camera | (2) DC12V-2A power supply |
| (3) Ceiling mount | (4) Mounting screws |
| (5) Manual | (6) Remote control |
| (7) USB cable | |

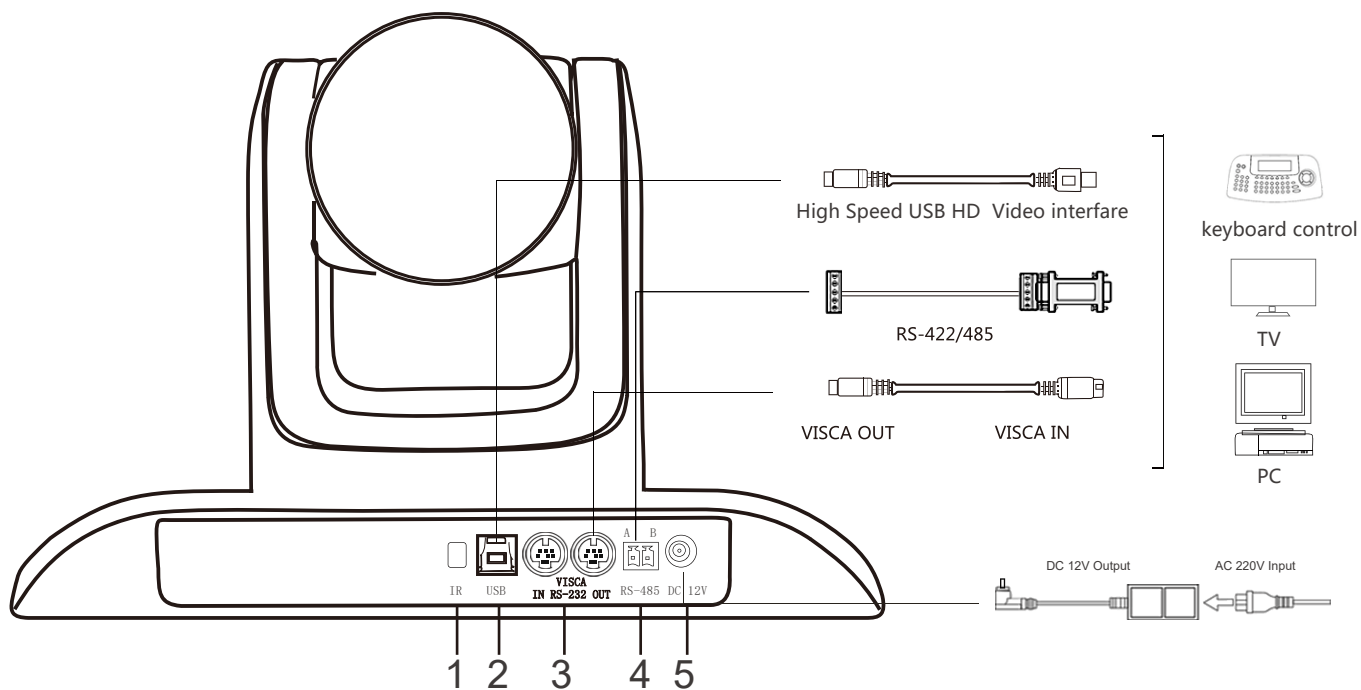
4.Quick Start

1.Interface definition



- 1.IR
- 2.USB
- 3.RS-232
- 4.RS-485
- 5.DC12V

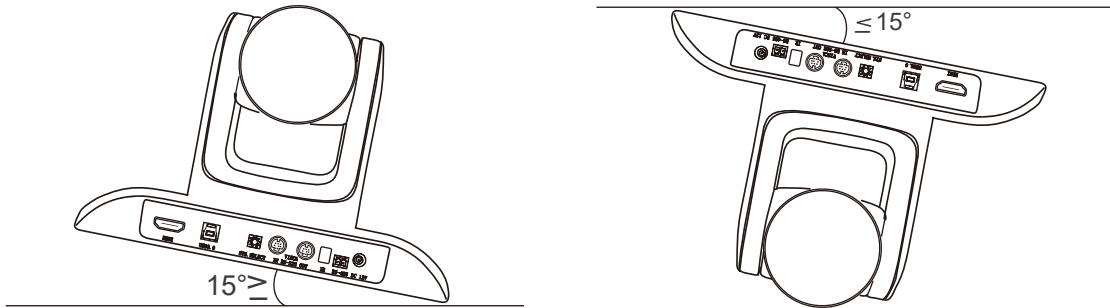
2.Interface diagram



3. Installation instructions

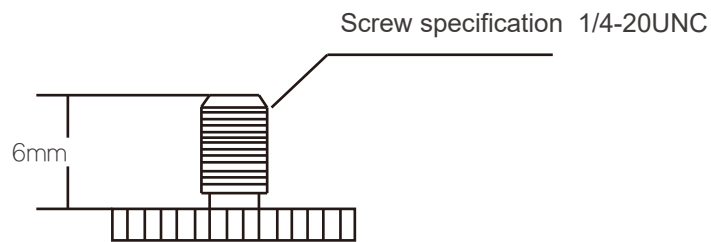
(1) Surface Installation

Put the camera on the desk flat, and make sure the camera in level. If want to put the camera on oblique surface, please make sure the angle of inclination less than 15 degree for ensure camera pan and tilt working in normal operation.



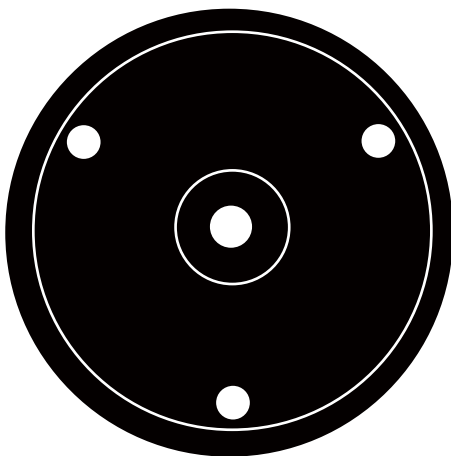
(2) Tripod Mount Installation

Twist the tripod's screw on the camera tripod hole, then the tripod could be installed on the bottom of camera. The tripod screw must fit below.



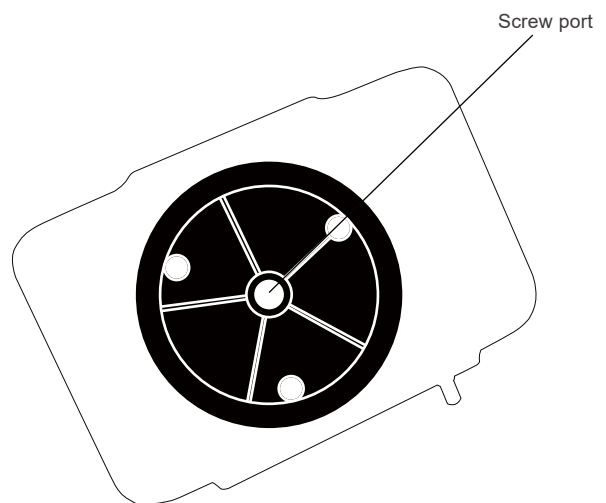
(3) Ceiling Mount Installation

1. Mounting the ceiling bracket



Mounting the bracket vertically to the ceiling with screws.

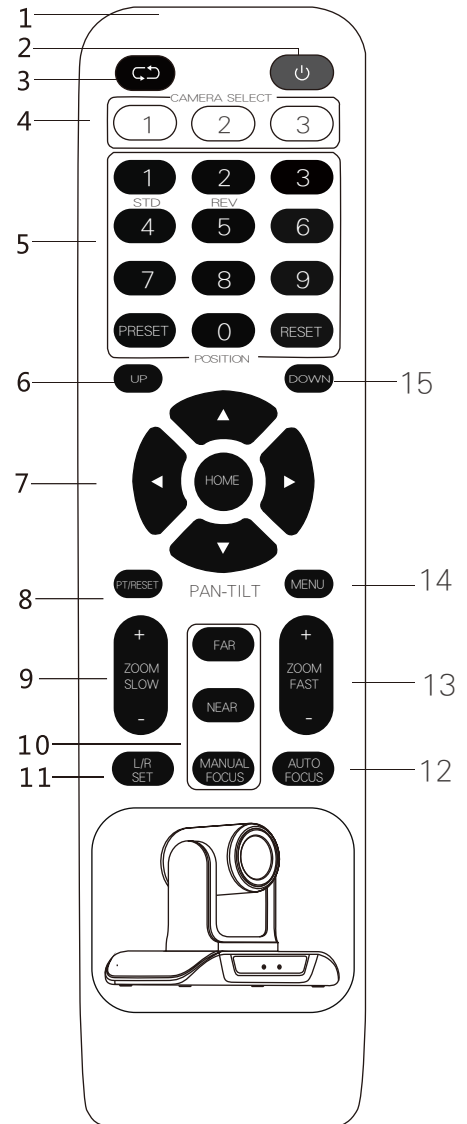
2. Install the camera



Rotate the camera clockwise to install it.

5. Remote control button description

- (1) Remote Control Launch Window
- (2) **【POWER】** Standby Button, pressing it, camera goes into Standby Mode; pressing again, camera goes Power ON.
- (3) **【P/T Reset】** (Not applicable for this model)
- (4) **【CAMERA SELECT】** Choose the camera number that needed to control, to correspond the dial-up code on the back of camera
- (5) **【POSITION】** Preset position setup keys, include **【PRESET】** and **【RESET】**
Press PRESET then Press NUMBER: to setup preset
Press RESET then Press NUMBER: to clear preset.
- (6) **【UP】** Camera rotating horizontally in regular installed direction
- (7) **【PAN-TILT】** Camera rotation control key, press this button and move by the arrow direction, Press **【HOME】** to back to the center of vertical and horizontal position.
- (8) **【P/T Reset】** clear all position setting.
- (9) ZOOM SLOW
【Zoom SLOW+】 T: Zoom out at low speed
【ZOOM SLOW-】 W: Zoom in at low speed
- (10) Manual Focus Mode
【MANUAL FOCUS】 Start manual focus function
【FAR】 Manually far focus, clearer for the distant objects, loose finger to stop.
【NEAR】 Manually near focus, clearer for the nearby object, loose finger to stop.
- (11) **【L/R SET】** (Not applicable for this model)
- (12) **【AUTO FOCUS】** Auto Focusing Button
- (13) Fast Zoom Key
【ZOOM FAST +】 Zoom out at fast speed
【ZOOM FAST -】 Zoom in at fast speed
- (14) **【MENU】** (Not applicable for this model)
- (15) **【DOWN】** Camera rotating horizontally in rever-sed installed direction.



6. Common Operations Introductions

1. Camera Select

Refer to the dial-up at the back of camera and choose camera address number that you want to control (1-3)



2. Camera Direction Control

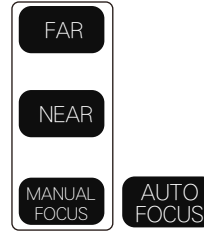
- Turning up
- Turning down
- Turning to left
- Turning to right



*Note: Press direction key to move the camera. Press the direction key when you need to change the angle. If you want to move the camera slowly, just click the direction key; If you want to move the camera fast at a large scale, just long-press the button.

3.Camera Focusing Mode Control

- 【AUTO】 Switch the focus mode to AUTO
- 【MANUAL】 Switch the focus mode to MANUAL
- 【FAR】 Far focus manually
- 【NEAR】 Near focus manually



4.Camera Zoom Control

Press any one of the 4 【ZOOM】 to make the zoom functioning.



5.Preset Setup,Call,Cancel

(1) Reserve Preset: Press 【PRESET】

then press one of the number (1-9) to reserve a preset that correspond to the NUMBER.

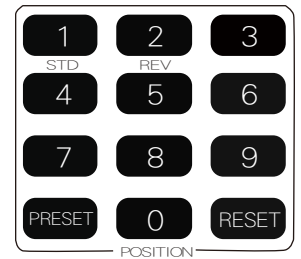
*Note: you can setup 9 presets at most by the remote control.

(2) Call Preset: Press the NUMBER (1-9) directly to call the reserved preset.

*Note: It won' t work if there' s no preset reserved in the corresponded number.

(3) Remove Preset: Press 【RESET】 , then press one of the number (1-9)

to remove a preset that correspond to the NUMBER.



★Attentions for Remote Control

1. If remote control doesn't work, please replace batteries.
2. If there is an object between remote control and specialized remote control sensor, the camera will not work.Please make sure the remote control is aimed at the sensor which in front of the camera when controlling it.
- 3 L/R SET and Menu keys are not applicable for this model.
- 4 Fast zoom key, slow zoom key, manual and auto focus keys not applicable for fixed focus model.

Dial-up ON/OFF set



Camera Address set

PTZ Add.	SW1 DIP-1	SW1 DIP-2	SW1 DIP-3	SW1 DIP-4	SW1 DIP-5	SW1 DIP-6	SW1 DIP-7	SW1 DIP-8
1	ON	OFF	OFF	OFF	OFF	OFF	OFF	OFF
2	OFF	ON	OFF	OFF	OFF	OFF	OFF	OFF
...								
255	ON	ON	ON	ON	ON	ON	ON	ON

Protocol

Protocol	SW2 DIP-1	SW2 DIP-2
VISCA	OFF	OFF
PELCO-D	OFF	ON
PELCO-P	ON	OFF

Baud rate

Baud	SW2 DIP-3
9600	OFF
38400	ON

COM IR

COM	SW2 DIP-4
RS-232	OFF
RS-485	ON

IR Add.

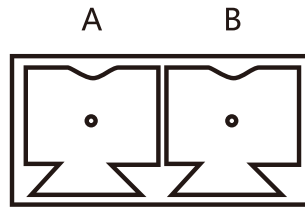
IR Add.	SW2 DIP-5	SW2 DIP-6
All	OFF	OFF
1	OFF	ON
2	ON	OFF
3	ON	ON

PS: RS-422/485 and RS232 Pins distribution

1.Control Interface

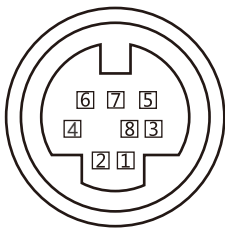
(1)RS485 Interface Distribution

PIN NUM	FUNCTION
A	DTR IN+(connect to RS-485)
B	DSR IN+(connect to RS-485)

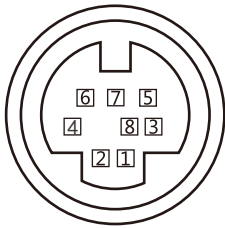


(2) RS-232 Interface Distribution

VISCA RS-232 IN



VISCA RS-232 OUT



- | | |
|--------|-------|
| 1.N.C. | 1.CD |
| 2.N.C. | 2.RXD |
| 3.TXD | 3.TXD |
| 4.GND | 4.DTR |
| 5.RXD | 5.GND |
| 6.N.C. | 6.DSR |
| 7.N.C. | 7.RTS |
| 8.N.C. | 8.CTS |
| | 9.RI |
-
- | | |
|--------|-------|
| 1.N.C. | 1.CD |
| 2.N.C. | 2.RXD |
| 3.TXD | 3.TXD |
| 4.GND | 4.DTR |
| 5.RXD | 5.GND |
| 6.N.C. | 6.DSR |
| 7.N.C. | 7.RTS |
| 8.N.C. | 8.CTS |
| | 9.RI |